

# MIQ/JBR

IQ SENSORNET SIGNAL AMPLIFIER MODULE



a xylem brand



For the most recent version of the manual, please visit [www.yssi.com](http://www.yssi.com).

**Contact**

YSI  
1725 Brannum Lane  
Yellow Springs, OH 45387 USA  
Tel: +1 937-767-7241  
800-765-4974  
Email: [info@ysi.com](mailto:info@ysi.com)  
Internet: [www.yssi.com](http://www.yssi.com)

**Copyright**

© 2018 Xylem Inc.

## MIQ/JBR - List of contents

|          |  |           |
|----------|--|-----------|
| <b>1</b> | <b>Overview</b>                                | <b>4</b>  |
| 1.1      | How to use this component operating manual     | 4         |
| 1.2      | Features of the MIQ/JBR                        | 5         |
| <b>2</b> | <b>Safety instructions</b>                     | <b>6</b>  |
| 2.1      | Safety information                             | 6         |
| 2.1.1    | Safety information in the operating manual     | 6         |
| 2.1.2    | Safety signs on the product                    | 6         |
| 2.1.3    | Further documents providing safety information | 6         |
| 2.2      | Safe operation                                 | 7         |
| 2.2.1    | Authorized use                                 | 7         |
| 2.2.2    | Requirements for safe operation                | 7         |
| 2.2.3    | Unauthorized use                               | 7         |
| 2.3      | User qualification                             | 7         |
| <b>3</b> | <b>Installation</b>                            | <b>8</b>  |
| 3.1      | Scope of delivery                              | 8         |
| 3.2      | Assembly in the IQ SENSORNET                   | 8         |
| 3.3      | Electrical connections: General instructions   | 8         |
| <b>4</b> | <b>Maintenance and cleaning</b>                | <b>13</b> |
| 4.1      | Maintenance                                    | 13        |
| 4.2      | Cleaning                                       | 13        |
| <b>5</b> | <b>Technical data</b>                          | <b>14</b> |
| 5.1      | General data of MIQ modules                    | 14        |
| 5.2      | MIQ/JBR  | 16        |
| <b>6</b> | <b>Contact Information</b>                     | <b>18</b> |
| 6.1      | Ordering & Technical Support                   | 18        |
| 6.2      | Service Information                            | 18        |

# 1 Overview

## 1.1 How to use this component operating manual

Structure of the IQ SENSORNET operating manual

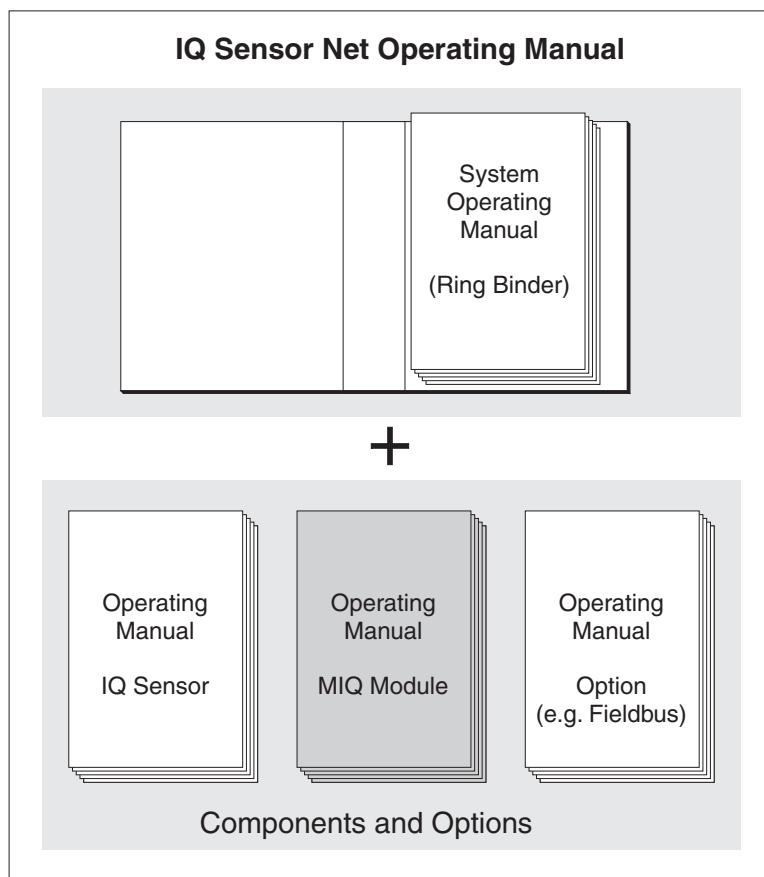


Fig. 1-1 Structure of the IQ SENSORNET operating manual

The IQ SENSORNET operating manual has a modular structure like the IQ SENSORNET system itself. It consists of a system operating manual and the operating manuals of all the components used.

Please file these component operating manuals into the ring binder of the system operating manual.

## 1.2 Features of the MIQ/JBR

### General characteristics

The overall length of the cables in the IQ SENSORNET affects

- the operational voltage available for a component
- the quality of the data transmission.

A drop of the operational voltage is compensated for by further MIQ power supply modules (see system operating manual).

A drop of the quality of the data signals is compensated for by the signal amplifier module MIQ/JBR (Junction Box Repeater).

If the sum of all cable lengths (including the SACIQ sensor connection cable) is more than 1000 m, a MIQ/JBR signal amplifier module **must** be installed in the system.

To amplify the signal, the MIQ/JBR signal amplifier module divides the IQ SENSORNET into two signal **ranges** (section A, section B).

The MIQ/JBR signal amplifier module has:

- an integrated bi-directional signal amplifier to amplify data signals during the transition between the signal **ranges**
- SENSORNET connections for the signal **ranges** (section A, section B).

In an IQ SENSORNET system, up to two signal amplifier modules may be installed. This facilitates the operation of an IQ SENSORNET with up to 3000 m cable length (see section 3.2).

Besides, the MIQ/JBR signal amplifier module **can** be used for:

- branching the IQ SENSORNET without signal amplification
- connecting further IQ SENSORNET components
- setting up an operating site, i.e. the signal amplifier module provides a possibility for the docking of terminal components.

With the standard MIQ module housing, the MIQ/JBR has the same characteristics as all MIQ modules regarding stability, leakproofness and weather resistance. It also provides the same wide variety of installation options (stacked mounting, canopy mounting, tophat rail mounting, etc.).

## 2 Safety instructions

### 2.1 Safety information

#### 2.1.1 Safety information in the operating manual

This operating manual provides important information on the safe operation of the product. Read this operating manual thoroughly and make yourself familiar with the product before putting it into operation or working with it. The operating manual must be kept in the vicinity of the product so you can always find the information you need.

Important safety instructions are highlighted in this operating manual. They are indicated by the warning symbol (triangle) in the left column. The signal word (e.g. "CAUTION") indicates the level of danger:

**WARNING**

indicates a possibly dangerous situation that can lead to serious (irreversible) injury or death if the safety instruction is not followed.

**CAUTION**

indicates a possibly dangerous situation that can lead to slight (reversible) injury if the safety instruction is not followed.

**NOTE**

*indicates a situation where goods might be damaged if the actions mentioned are not taken.*

#### 2.1.2 Safety signs on the product

Note all labels, information signs and safety symbols on the product. A warning symbol (triangle) without text refers to safety information in this operating manual.

#### 2.1.3 Further documents providing safety information

The following documents provide additional information, which you should observe for your safety when working with the measuring system:

- Operating manuals of other components of the IQ SENSORNET system (power supply modules, controller, accessories)
- Safety datasheets of calibration and maintenance equipment (e.g. cleaning solutions).

## 2.2 Safe operation

### 2.2.1 Authorized use

The authorized use of the MIQ/JBR consists of its use as a signal amplifier module in the IQ SENSORNET. Only the operation according to the instructions and technical specifications given in this operating manual is authorized (see chapter 5 TECHNICAL DATA). Any other use is considered unauthorized.

### 2.2.2 Requirements for safe operation

Note the following points for safe operation:

- The product may only be operated according to the authorized use specified above.
- The product may only be operated under the environmental conditions mentioned in this operating manual.
- The product may only be supplied with power by the energy sources mentioned in this operating manual.
- The product may only be opened if this is explicitly described in this operating manual (example: connecting electrical lines to the terminal strip).

### 2.2.3 Unauthorized use

The product must not be put into operation if:

- it is visibly damaged (e.g. after being transported)
- it was stored under adverse conditions for a lengthy period of time (storing conditions, see chapter 5 TECHNICAL DATA).

## 2.3 User qualification

|                                    |   |
|------------------------------------|---|
| <b>Target group</b>                | The IQ SENSORNET system was developed for online analysis. Some maintenance activities, e.g. changing the membrane caps in D.O. sensors, require the safe handling of chemicals. Thus, we assume that the maintenance personnel is familiar with the necessary precautions to take when dealing with chemicals as a result of their professional training and experience. |
| <b>Special user qualifications</b> | The following installation activities may only be performed by a qualified electrician: <ul style="list-style-type: none"><li>● Connection of the MIQ/JBR to the power supply.</li><li>● Connection of external, line voltage-carrying circuits to relay contacts (see module manual of the relay output module).</li></ul>   |

## 3 Installation

### 3.1 Scope of delivery

- MIQ module
- Accessory set, including:
  - 4 x cable glands (clamping range 4.5-10 mm) with seals and blind plugs
  - 4 x ISO blind nuts M4 with suitable cheese-head screws and plain washers
  - 2 x countersunk screws M3x6 to close the module lid (+ 2 replacement screws)
  - 1 x contact base with fixing screws
- Operating manual.

### 3.2 Assembly in the IQ SENSORNET

#### General assembly instructions

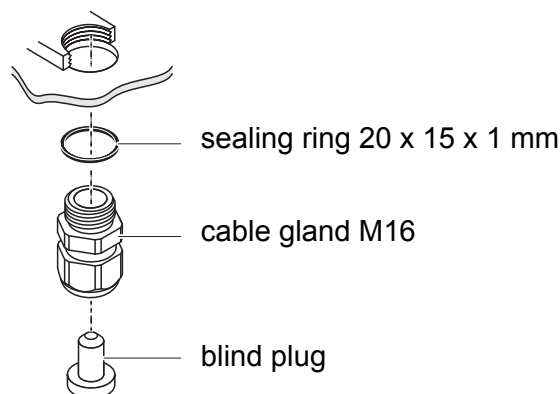
The IQ SENSORNET provides a number of options for integrating the MIQ/JBR mechanically and electrically in the system (stacked mounting, distributed mounting, etc.). The various types of installation are described in detail in the INSTALLATION chapter of the system operating manual.

### 3.3 Electrical connections: General instructions

#### Cable glands

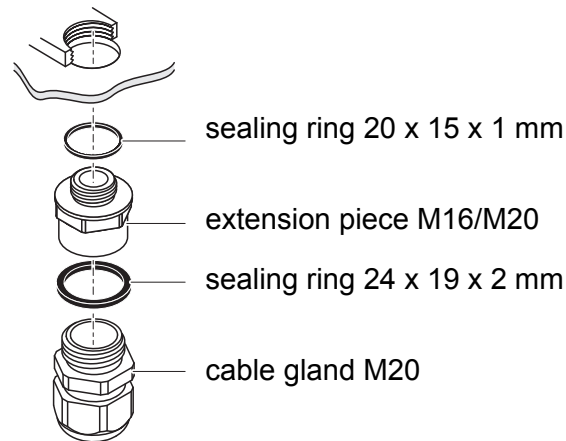
All electric cables are fed from below via prepared openings in the enclosure of the MIQ/JBR. Cable glands with different clamping ranges are included with the MIQ/JBR to provide sealing between the cable and enclosure as well as for strain relief. Select the matching cable gland for the respective cable diameter:

- **Small**, clamping range 4.5 to 10 mm. This cable gland is suitable for all IQ SENSOR NET sensor cables.





- **Large**, clamping range 7 to 13 mm. This cable gland is required for cable sheaths with an outside diameter of more than 10 mm and is screwed into the enclosure via an extension piece.



If necessary, you can order more large cable glands in a set of 4 pieces (Model EW/1, Order No. 480 051).

### General installation instructions

Observe the following points when attaching connecting wires to the terminal strip

- Shorten all wires to be used to the length required for the installation
- Always fit all the ends of the wires with wire end sleeves before connecting them to the terminal strip
- Any wires that are not used and project into the enclosure must be cut off as closely as possible to the cable gland.
- Screw a small cable gland with sealing ring into each remaining free opening and close it with a blind plug.

**Terminal strip**

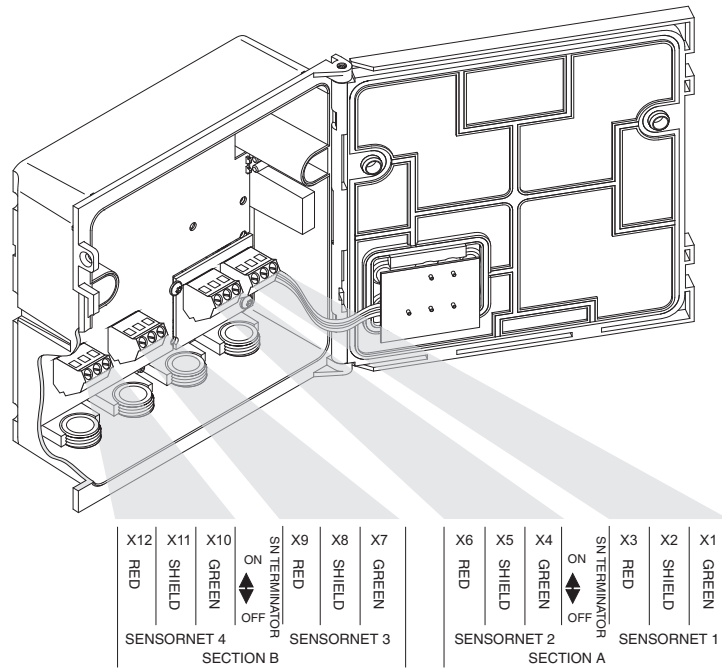


Fig. 3-1 Terminal strip of the MIQ/JBR

On the terminal strip inside the enclosure, the MIQ/JBR has four SENSORNET connections. Two of these connections are assigned to each of the signal **ranges** (section A, section B) in the IQ SENSORNET.

**Outside contacts**

The outside contacts on the back and front side of the module enclosure are connected with section A. Thus, all modules connected to the MIQ/JBR by stack mounting are connected to section A. A module can only be connected to section B via the 2 SENSORNET connections for section B on the terminal strip.

**Power supply**

For power supply purposes, the IQ SENSORNET system is always regarded as one undivided system. Determine the number of MIQ power supply modules required for the system following the rules for the optimum power supply (see system operating manual).

**Signal amplification**

To amplify the signal, the MIQ/JBR divides the IQ SENSORNET into signal **ranges** (section A, section B). Within a signal **range**, the overall cable length (SNCIQ IQ SENSORNET cables + SACIQ sensor connection cables) must not be more than 1000 m. In an IQ SENSORNET system, up to two signal amplifier modules may be installed.

| Overall cable length (SNCIQ + SACIQ) | Number of MIQ/JBR modules | Number of signal ranges |
|--------------------------------------|---------------------------|-------------------------|
| < 1000 m                             | 0                         | 1                       |
| 1000 m - 2000 m                      | 1                         | 2                       |
| 2000 m - 3000 m                      | 2                         | 3                       |

When data signals change between the signal **ranges** (section A, section B), the signal amplification becomes effective. Signals are not amplified within a signal **range**.

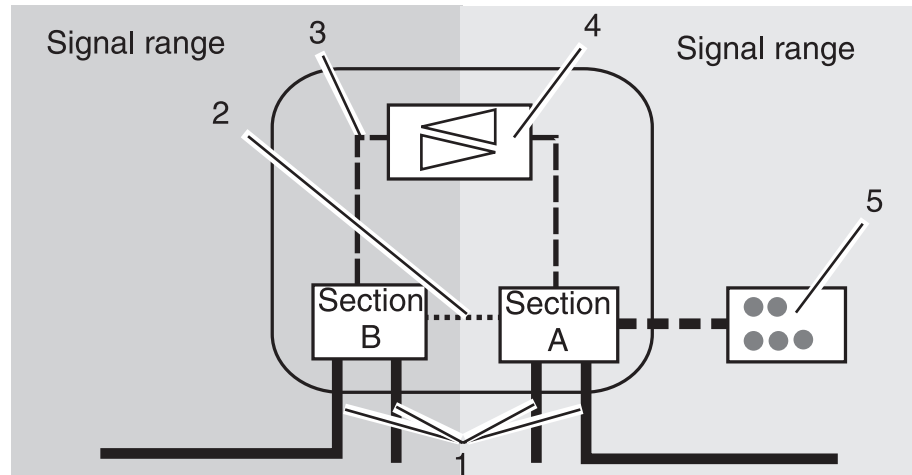
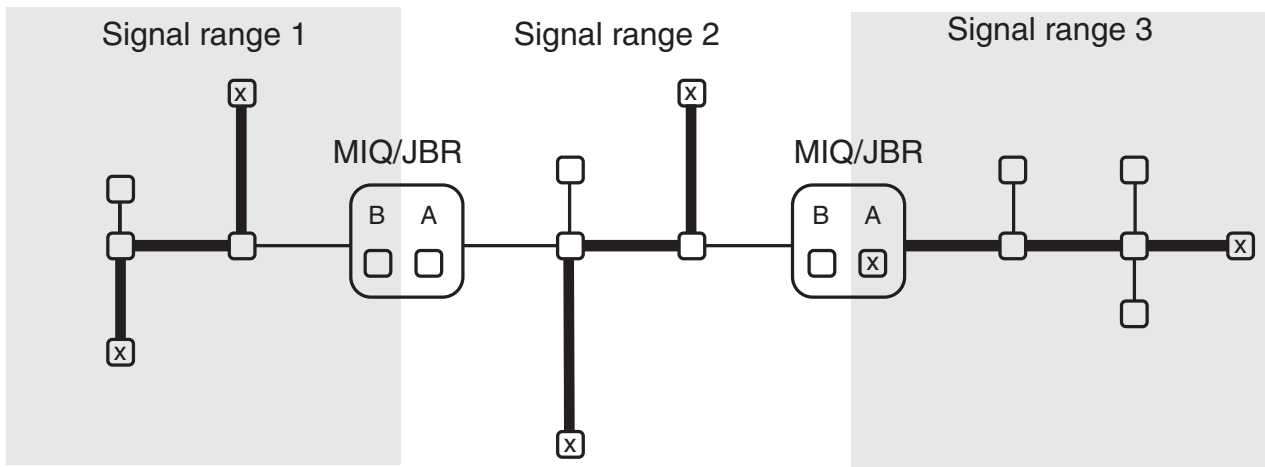


Fig. 3-2 Schematic diagram of the MIQ/JBR

|   |   |
|---|---|
| 1 | IQ SENSORNET cables at the terminal connections |
| 2 | Power flow                                      |
| 3 | Data signals                                    |
| 4 | Bi-directional signal amplifier                 |
| 5 | Outside contacts on the module enclosure        |

**Terminator switch** For the setting of the terminator switches within a signal **range**, the same rules apply as for systems without MIQ/JBR (see chapter INSTALLATION of the IQ SENSORNET system operating manual).

The longest cable section of each signal **range** is determined. On both ends of the longest cable section of a signal **range** the terminator switch must be set to **On**. All other terminator switches must be set to **Off**.



|                                     |  |
|-------------------------------------|--|
| <input checked="" type="checkbox"/> | = MIQ module with SN terminator switch On        |
| <input type="checkbox"/>            | = MIQ module with SN terminator switch Off       |
| <b>—</b>                            | = longest cable section of a signal <b>range</b> |

Fig. 3-3 Settings of the SN terminator switch for an IQ SENSORNET system with 2 MIQ/JBR modules



The proceeding to determine the longest cable section can be found in chapter INSTALLATION of the IQ SENSORNET system operating manual.

The proceeding to set the terminator switches can also be found in chapter INSTALLATION of the IQ SENSORNET system operating manual.

## **4 Maintenance and cleaning**

### **4.1 Maintenance**

The MIQ/JBR requires no special maintenance. The general maintenance of IQ SENSORNET components is described in the IQ SENSORNET system operating manual.

### **4.2 Cleaning**

The cleaning of IQ SENSORNET components is described in the IQ SENSORNET system operating manual.

## 5 Technical data

### 5.1 General data of MIQ modules

#### Dimensions

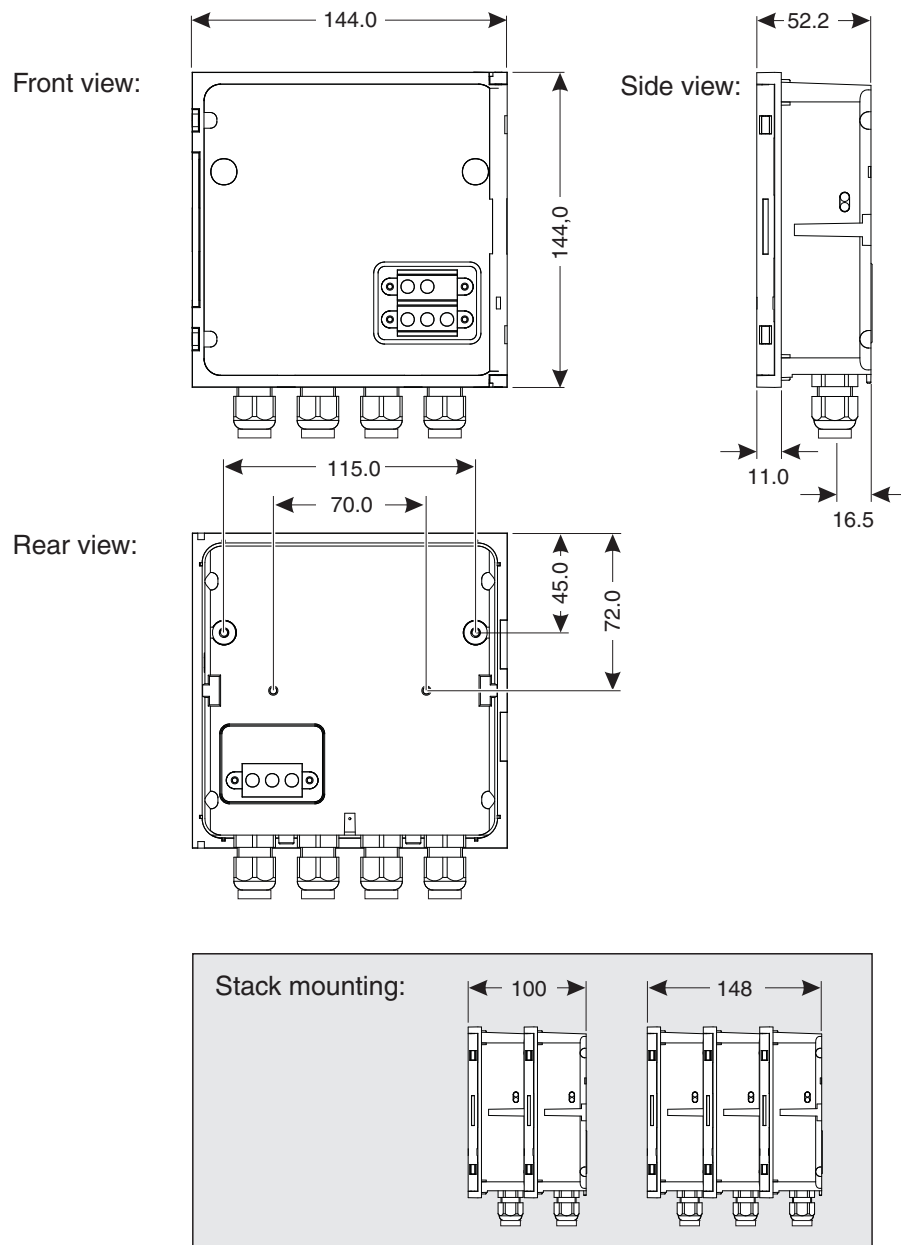


Fig. 5-1 Dimension drawing of MIQ module (dimensions in mm)

#### Mechanical structure

Maximum number of MIQ modules in a module stack

3

Enclosure material

Polycarbonate with 20 % glass fiber

|   |                                    |  |
|---|------------------------------------|--|
|   | Weight                             | Approx. 0.5 kg   |
|   | Type of protection                 | IP 66 (not suitable for direct conduit connection).  |
| <b>Cable glands</b>                           | Suitable for cable sheath diameter | 4.5 - 10 mm or<br>9.0 - 13 mm  |
| <b>Ambient conditions</b>                     | Temperature                        |  |
|   | Mounting/installation/maintenance  | + 5 °C ... + 40 °C (+ 41 ... +104 °F)  |
|   | Operation                          | - 20 °C ... + 55 °C (- 4 ... + 131 °F)   |
|   | Storage                            | - 25 °C ... + 65 °C (- 13 ... + 149 °F)  |
|   | Relative humidity                  |  |
|   | Mounting/installation/maintenance  | ≤ 80 %   |
|   | Yearly average                     | ≤ 90 %   |
|   | Dew formation                      | Possible   |
|   | Site altitude                      | Max. 2000 m above sea level  |
| <b>Meter safety</b>                           | Applicable norms                   | <ul style="list-style-type: none"> <li>- EN 61010-1</li> <li>- UL 61010-1</li> <li>- CAN/CSA C22.2#61010-1</li> </ul>  |
| <b>EMC product and system characteristics</b> | EN 61326                           | <p>EMC requirements for electrical resources for control technology and laboratory use</p> <ul style="list-style-type: none"> <li>- Resources for industrial areas, intended for indispensable operation</li> <li>- Interference emission limits for resources of class A</li> </ul> |
|   | System lightning protection        | Noticeably extended qualitative and quantitative protective characteristics as opposed to EN 61326   |
|   | FCC, class A                       |  |

## 5.2 MIQ/JBR

|                             |                          |  |
|-----------------------------|--------------------------|--|
| <b>Electrical data</b>      | Nominal voltage          | Max. 24 VDC<br>via the IQ SENSORNET (for details, see chapter TECHNICAL DATA of the IQ SENSORNET system operating manual). |
|                             | Power consumption        | approx. 0.2 W  |
|                             | Protective class         | III  |
| <b>Terminal connections</b> | IQ SENSORNET connections | 4<br>2 additional switchable SENSORNET terminators (terminating resistors)   |
|                             | Terminal type            | Screw-type terminal strip, accessible by raising the lid   |
|                             | Terminal ranges          | Solid wires: 0.2 ... 4.0 mm <sup>2</sup><br>AWG 24 ... 12<br>Flexible wires: 0.2 ... 2.5 mm <sup>2</sup>                   |
|                             | Cable feeds              | 4 cable glands M16 x 1.5 on the underside of the module  |





## 6 Contact Information

### 6.1 Ordering & Technical Support

Telephone: (800) 897-4151  
(937) 767-7241  
Monday through Friday, 8:00 AM to 5:00 PM ET

Fax: (937) 767-1058

Email: [info@ysi.com](mailto:info@ysi.com)

Mail: YSI Incorporated  
1725 Brannum Lane  
Yellow Springs, OH 45387  
USA

Internet: [www.ysi.com](http://www.ysi.com)

When placing an order please have the following information available:

|                                   |                               |
|-----------------------------------|-------------------------------|
| YSI account number (if available) | Name and Phone Number         |
| Model number or brief description | Billing and shipping address  |
| Quantity                          | Purchase Order or Credit Card |

### 6.2 Service Information

YSI has authorized service centers throughout the United States and Internationally. For the nearest service center information, please visit [www.ysi.com](http://www.ysi.com) and click 'Support' or contact YSI Technical Support directly at 800-897-4151.

When returning a product for service, include the Product Return form with cleaning certification. The form must be completely filled out for an YSI Service Center to accept the instrument for service. The Product Return form may be downloaded at [www.ysi.com](http://www.ysi.com) and clicking on the 'Support' tab.



# Xylem |'zīləm|

- 1) The tissue in plants that brings water upward from the roots;
- 2) a leading global water technology company.

We're 12,500 people unified in a common purpose: creating innovative solutions to meet our world's water needs. Developing new technologies that will improve the way water is used, conserved, and re-used in the future is central to our work. We move, treat, analyze, and return water to the environment, and we help people use water efficiently, in their homes, buildings, factories and farms. In more than 150 countries, we have strong, long-standing relationships with customers who know us for our powerful combination of leading product brands and applications expertise, backed by a legacy of innovation.

**For more information on how Xylem can help you, go to [www.xylem.com](http://www.xylem.com)**



a **xylem** brand

YSI  
1725 Brannum Lane  
Yellow Springs, OH 45387  
Tel: +1 937-767-7241; 800-765-4974  
Fax: +1 937-767-1058  
Email: [info@ysi.com](mailto:info@ysi.com)  
Web: [www.ysi.com](http://www.ysi.com)

©Xylem Inc